

## Trolley For Cassette Handling

### Manoeuvrability and safety

The cassette trolley is made of our UNI profile and the material is aluminium which makes it very easy to operate because of the low weight. The trolley is very safe to move as no hard pushing is required.

### Stability on any surface

The trolley is very stable due to large rubber wheels. Two of these wheels have brakes for safe parking.

### Maintenance

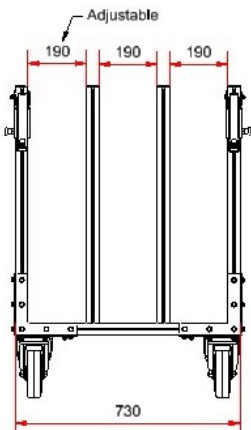
The trolley is maintenance free as the UNI profiles are anodized and very easy to keep clean.

### Custom made

The trolley can be custom made, to suit any size of cassettes and the amount which is required to move.



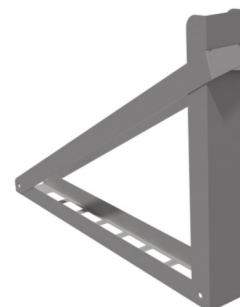
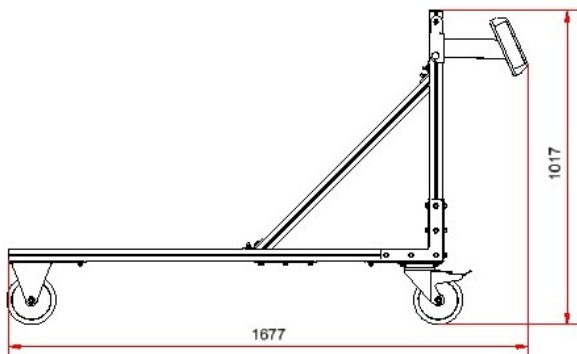
Standard trolley with 3 cassettes.  
BCM cassettes B1621H



Whells with brakes



Rotatable handle



B1621H Cassettes